

1 2 3 4 5 6 7 8

A

B

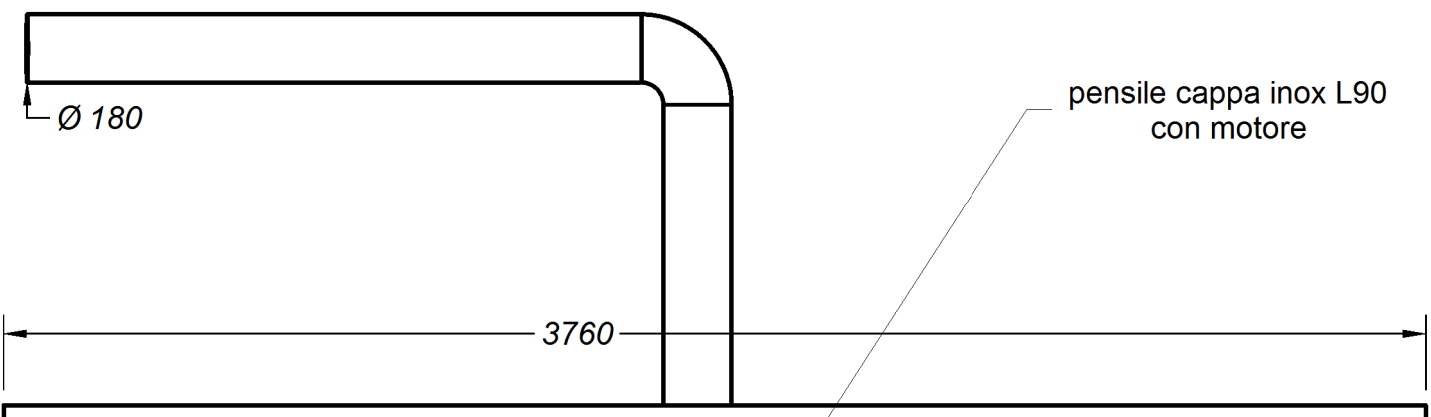
C

D

E

F

1 2 3 4 5 6 7 8



pensile cappa inox L90 con motore

Ø 180

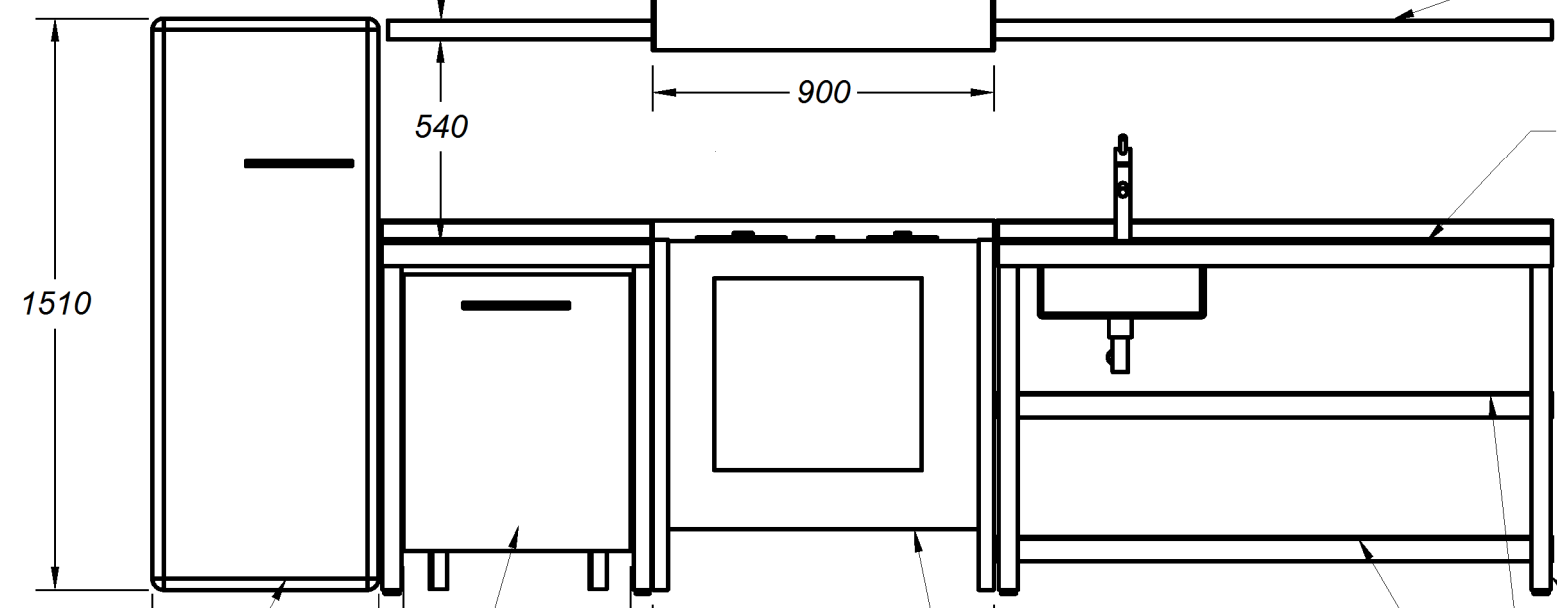
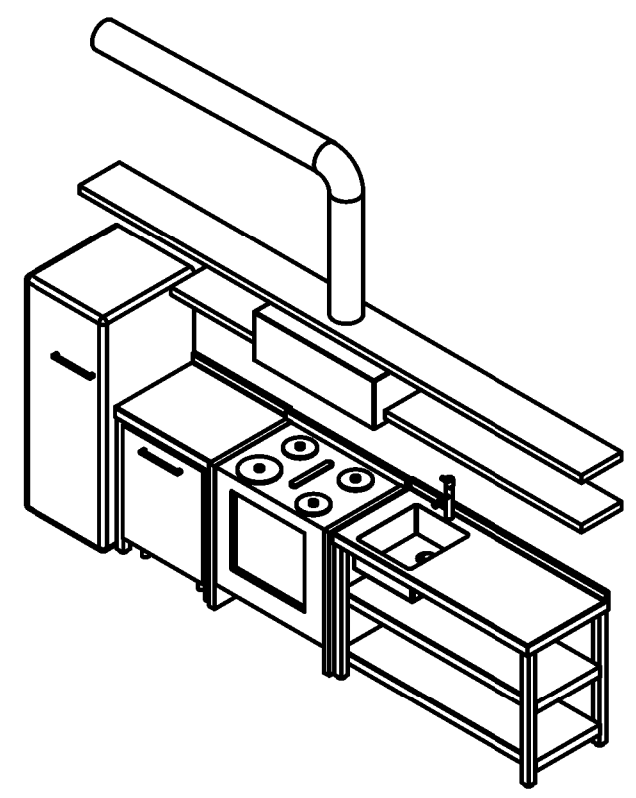
3760

50

270

900

ripiani in legno



1510

540

Piano inox

915

600

600

900

telaio inox

scaffali inox

Frigo Smeg FAB28
Nero cerniera a sinistra

SCALE 1 : 20

Cucina Smeg CS19-6

inox lavastoviglie

<p>Copyright</p> <p>This drawing remains the property of Inform Projects and must not be copied or reproduced in any way or form without the written consent of Inform Projects.</p>	Scale	Title		
	1:20	Cucina via Roma 31 Lucignano		
	THIRD ANGLE PROJECTION	Drawn	Checked	Project
		SF	CB	Project
		Date	Rev.	
		12/9/12	A	
		Dwg No.	Size	
			A3	

Inform Projects P/L

A3